

THIS DRAWING IS UNPUBLISHED. RELEASED FOR PUBLICATION 20
 © COPYRIGHT 20 BY - ALL RIGHTS RESERVED.

REVISIONS				
P	LTR	DESCRIPTION	DATE	APVD
A2	ECR-16-010931	UPDATE NAME	02AUG2016	L.Z X.X

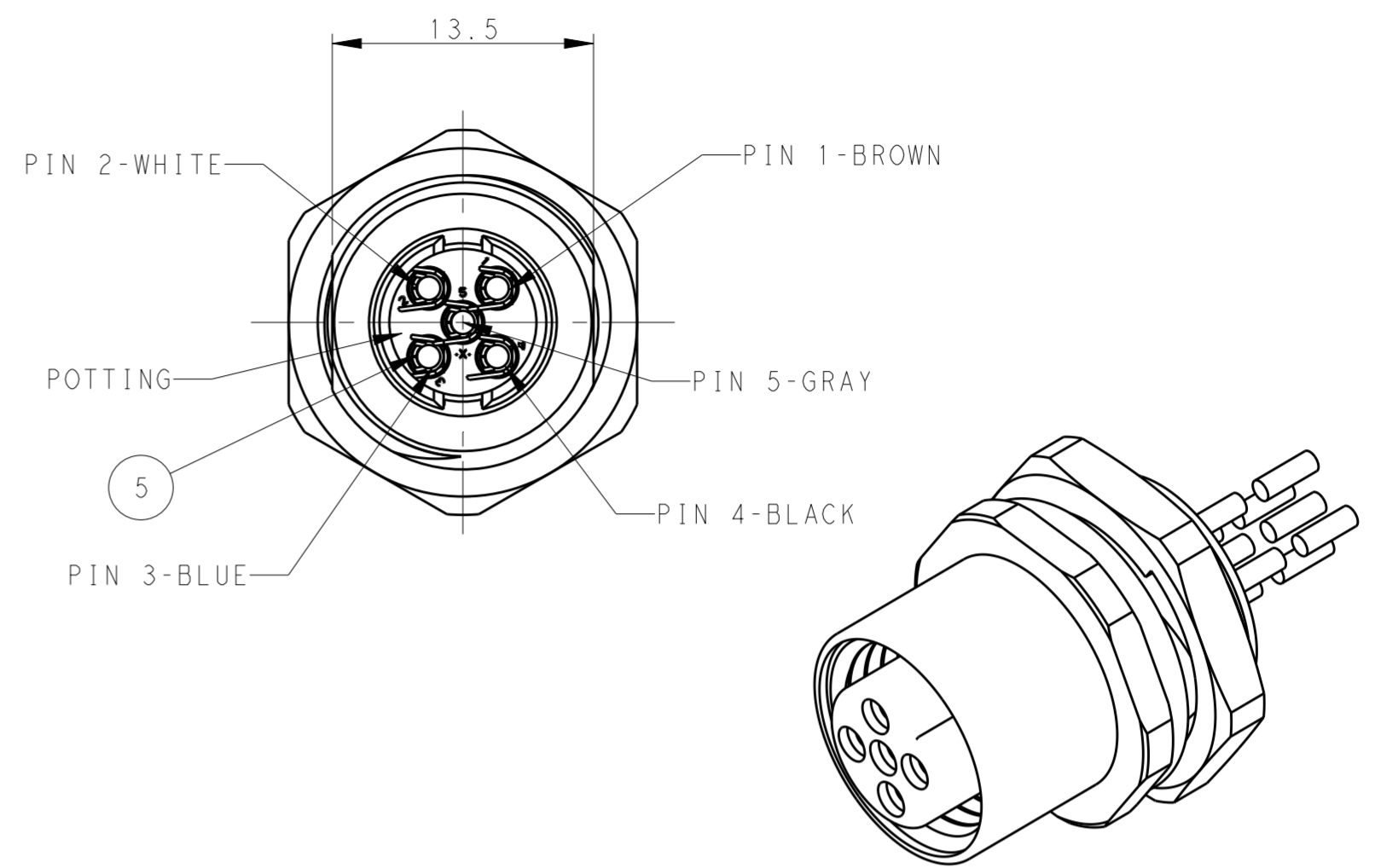
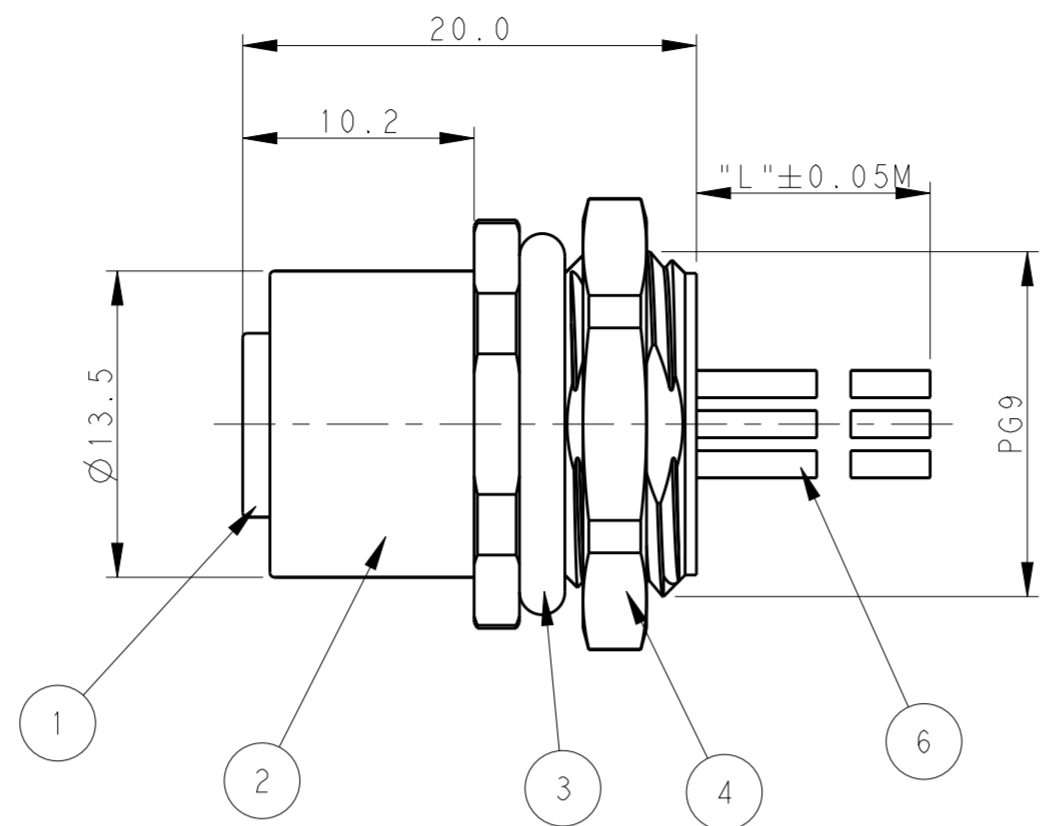
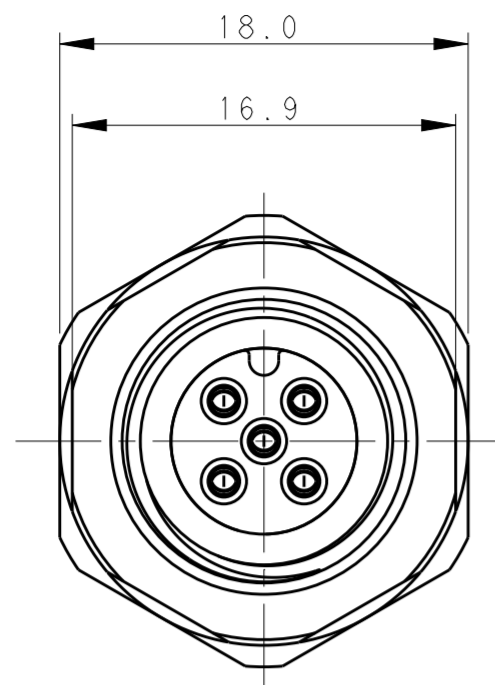


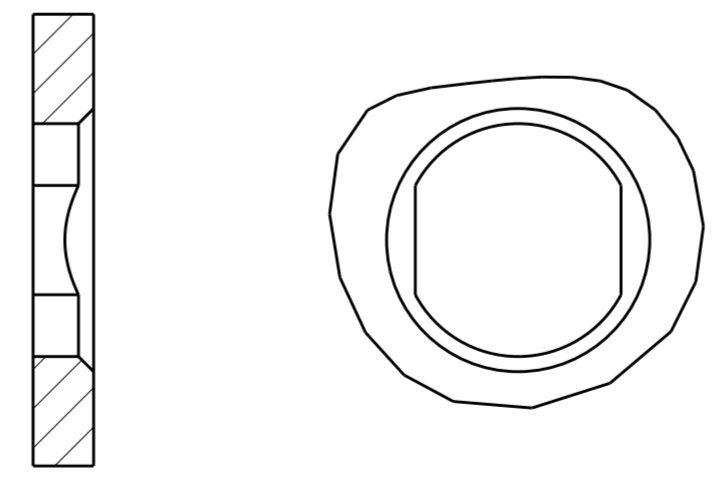
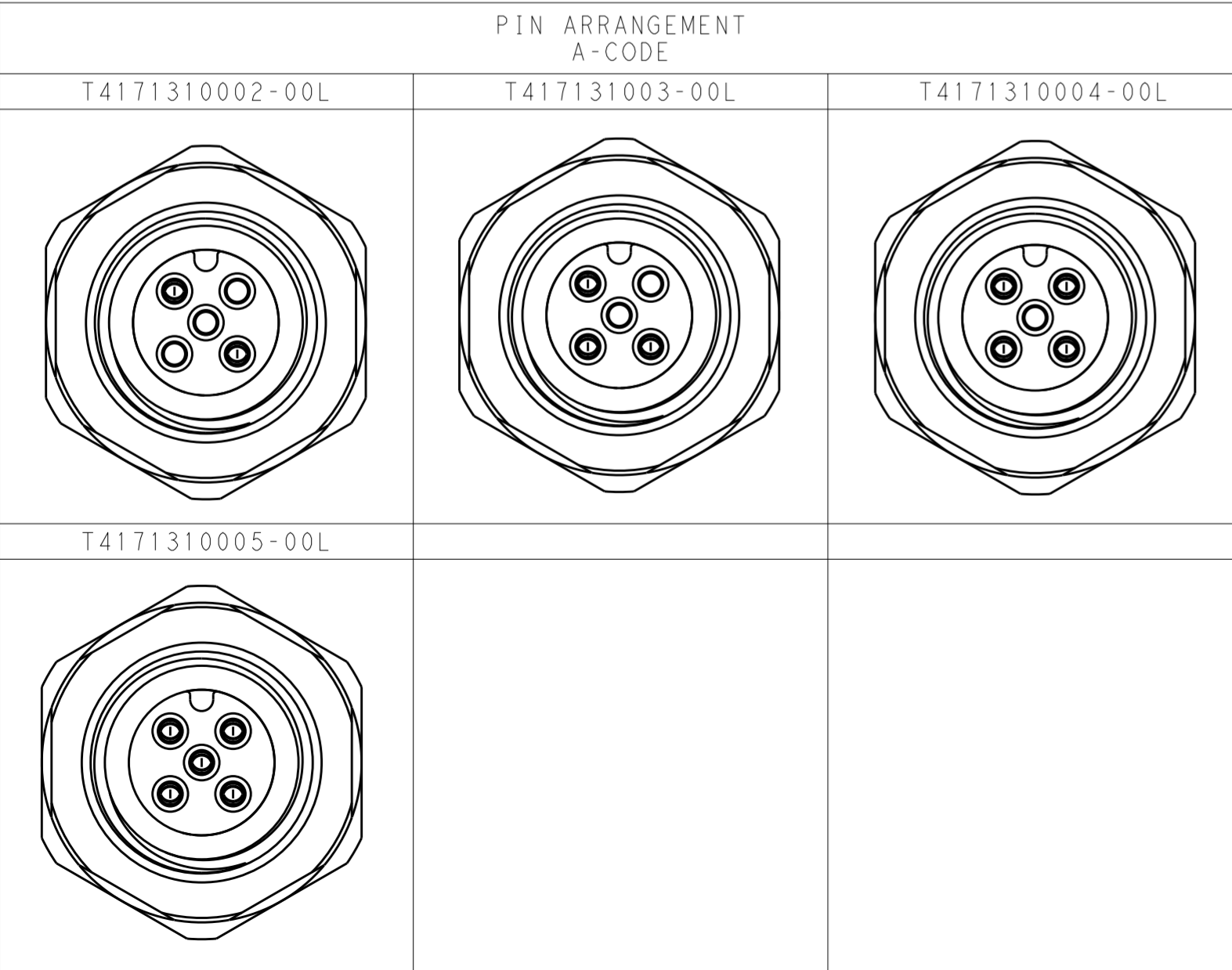
TABLE 1

TECHNICAL DATA	T4171310002-00L	T4171310003-00L	T4171310004-00L	T4171310005-00L
RATED VOLTAGE	250V	250V	250V	60V
RATED CURRENT	4A	4A	4A	4A
POLLUTION DEGREE	3	3	3	3
OVERVOLTAGE CATEGORY	II	II	II	II
MATERIAL GROUP	II	II	II	II
CONTACT RESISTANCE	<=10mΩ	<=10mΩ	<=10mΩ	<=10mΩ
INSULATION RESISTANCE	>100MΩ	>100MΩ	>100MΩ	>100MΩ
DEGREE OF PROTECTION	IP67	IP67	IP67	IP67
OPERATION TEMPERATURE	-40~85°C	-40~85°C	-40~85°C	-40~85°C

NOTE:
 1. TECHNICAL DATA: SEE TABLE 1
 2. PRODUCT COMPLIES WITH IEC61076-2-101
 3. PLASTIC INERT MATERIAL:UL LISTED WITH UL94V0 FLAME RATING
 4. CABLE LENGTH SEE TABLE 2

注释:
 1: 技术参数, 见表1
 2: 产品符合标准IEC61076-2-101
 3: 塑胶材料符合UL标准, UL-94V0阻燃等级
 4: 线长度见表2

CABLE CHARACTERISTIC	CABLE LENGTH "L"	DESCRIPTION	POS	TABLE 2 PN
WIRES: 0.34MM ² (22AWG) WIRE PN AND COLOR: 1(BR)/2(WH)/3(BL)/4(BK)/5(GR)	-001:0.2M -002:0.5M -003:1.0M -004:1.5M -005:3.0M -006:5.0M -007:7.0M -008:10.0M	RPC-M12-FB-5CON-PG9-***LAU	5	T4171310005-00L
		RPC-M12-FB-4CON-PG9-***LAU	4	T4171310004-00L
		RPC-M12-FB-3CON-PG9-***LAU	3	T4171310003-00L
		RPC-M12-FB-2CON-PG9-***LAU	2	T4171310002-00L



RECOMMENDED PANEL CUTOUT

COMMENT	MATERIAL	DESCRIPTION	ITEM
FLASH GOLD	COPPER ALLOY	CABLE CONTACT	6 2 3 4 5
-	COPPER ALLOY	METAL NUT	5 2 3 4 5
-	-	O-RING	4 1 1 1 1
-	COPPER ALLOY	M12,MALE,METAL BODY	3 1 1 1 1
BLACK	NYLON	M12,MALE HSG, A CODE, 5PINS	2 1 1 1 1

THIS DRAWING IS A CONTROLLED DOCUMENT.

DWN: BO GAO 11APR2016
 CHK: KOBBY ZHAO 11APR2016
 APVD: XIANG XU 11APR2016

TE Connectivity

M12 PANEL MOUNT CONNECTOR
 A CODE, FEMALE, FRONT MOUNTING

SIZE: A2 CAGE CODE: - DRAWING NO: T417131000X00L RESTRICTED TO: -
 SCALE: 3:1 SHEET 1 OF 1 REV: A2